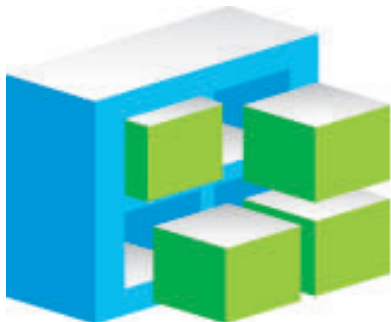


# FOREG 2000

Systematic archiving



**EUROMECH**  
ENGINEERING EXCELLENCE

# FOREG 2000 Mobile shelving

## Modular construction for more space



The very varied demands placed upon a productive storage system can be met in full with the installation of a FOREG mobile shelving system. FOREG 2000 creates space and order.

### FOREG is easy to operate

The operation of the mobile shelving is effortless and ensures rapid and problem-free access to the materials kept in archives and stores.

### FOREG is flexible

Even at the planning stage, differing sizes and drive systems plus an extensive selection of interior fittings and many other features cater for widely varying materials and local conditions. The design of the system is such that all the components are fully interchangeable and extendable.

### FOREG is at home everywhere

Regardless of whether it's for use in a small records office or an extensive archive, this system offers the optimum solution for every day usage. Planned and installed by specialists, the shelving systems can cope with the most extreme demands.



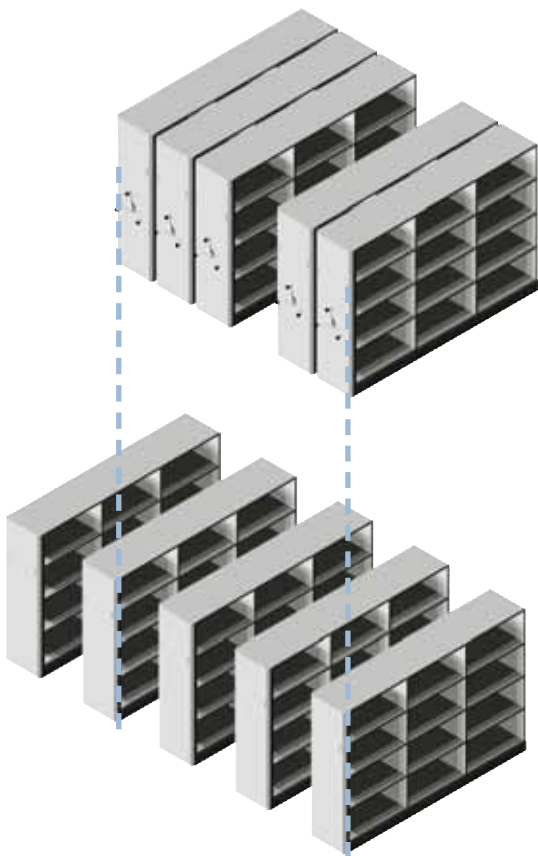
### FOREG is reliable:

By using high quality materials and the most modern production technology, reliability and function of mobile shelving systems is ensured.



## **Saving space means saving costs**

Making the very best use of the space available becomes possible with a mobile shelving system. In contrast to fixed shelving, only the access specifically required needs to be open. In this way almost double the normal storage space is made available.



# Heavy loads are easily moved

## Rail and wheel - a perfect combination

A proven system of running and guide wheels, combined with matching rails, makes it possible to move heavy loads with minimum effort. The heavy duty rails, with an internally fitted guide system, can either be laid on the structural floor or, in the case of an existing floor area, fitted with a platform floor.



## Drive methods



### Push/pull drive

For maximum loads up to 2000 kg per mobile unit



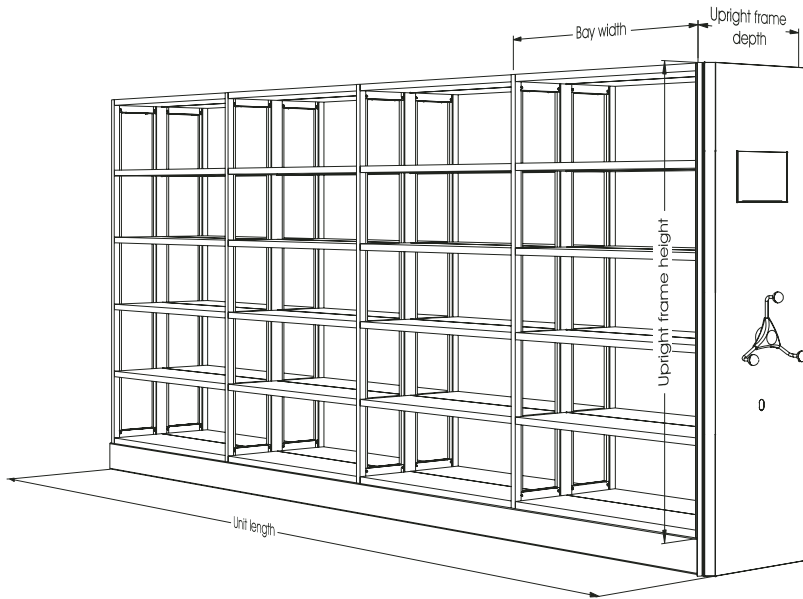
### Electric individual drive

For loads over 5000 kg per unit

**Crank driven**  
For maximum loads up to 5000 kg per unit  
Driven by 'floor chain' or friction drive



# A suitable size for every requirement - so that there is room for everything



## Maximum single loads/ load-bearing capacity:

Shelf:

- Bay width 900 and 1000mm: 100 kg
- Bay width 1100 and 1200mm: 90 kg
- Shelf with reinforcement: 150 kg
- Suspension rod: 50 kg
- Suspension rod with reinforcement: 130 kg
- Pull-out filing frame: 60 kg
- Drawer: 60 kg

## Surface area:

All parts are galvanised and/or powder coated (RAL 7035 light grey). Other colours within our current colour range are available for end panels.

## Quality assurance:

- RAL quality mark  
RAL-RG614/1  
RAL-RG614/4
- GS Mark (certified safety)
- Quality Management System pursuant to Austrian Standards
- ISO 9001: 2000

## Measurements

Upright frame heights:	Upright frame depths:	Bay widths:
1632 mm	250 mm	900 mm
1952 mm	300 mm	1000 mm
2232 mm	350 mm	1100 mm
2592 mm	400 mm	1200 mm
2952 mm	450 mm	
	500 mm	
	600 mm	
	700 mm	
	800 mm	

### Unit height:

Upright frame height + 162 mm (mobile base + distance from floor)

### Unit depth:

Upright frame depth + 30 mm safety factor

### Unit length:

x times bay width + 100 mm cladding to unit end or chain box

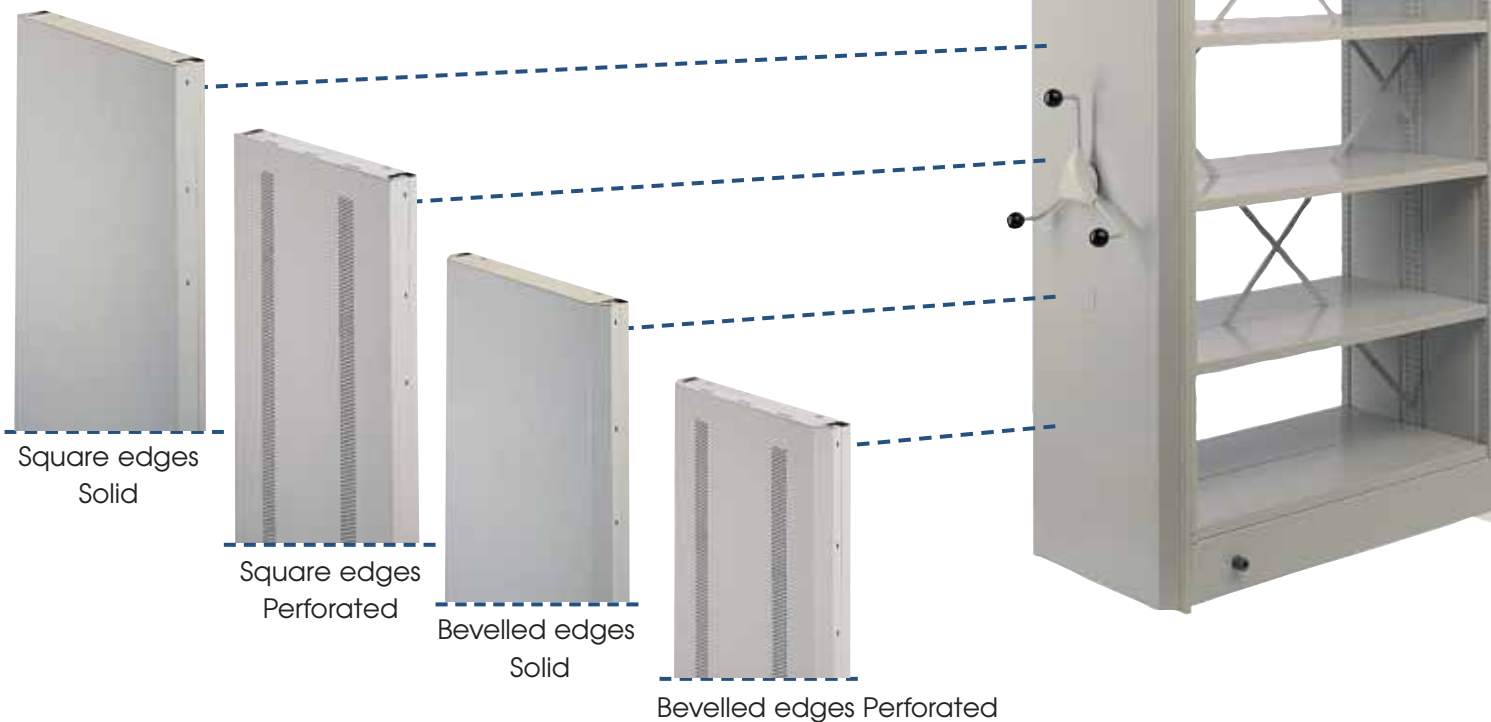


# Versatile and extendable at

## End panels and upright frames

The appearance of the shelving and its function, since perforated end panels and upright frames ensure better air flow, can be determined with a choice of panels.

Four different types of end panel are available. The card-holders assist in determining the content of the units.



## New design choices

This innovation puts colour into many a grey office environment. The digital printing process allows imprinting the shelf panels with a variety of designs. Whether lovely holiday snapshots, majestic architecture or fascinating works of art and regardless of the size of the print – there are virtually no bounds to your flights of imagination.



# any time - the appearance of FOREG 2000

## Claddings

Several options of infill panel types are available and these can be selected according to individual requirements.



Frames with laminated hardboard



Closed frames with perforated steel 6 mm Ø



Closed frames with solid steel



Open frames

## Doors

Hinged or sliding doors make it possible to close off single or several shelving bays. In this way, valuable archive material can be protected from both dust and unauthorised access.



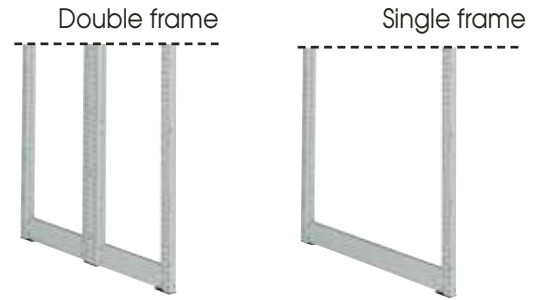
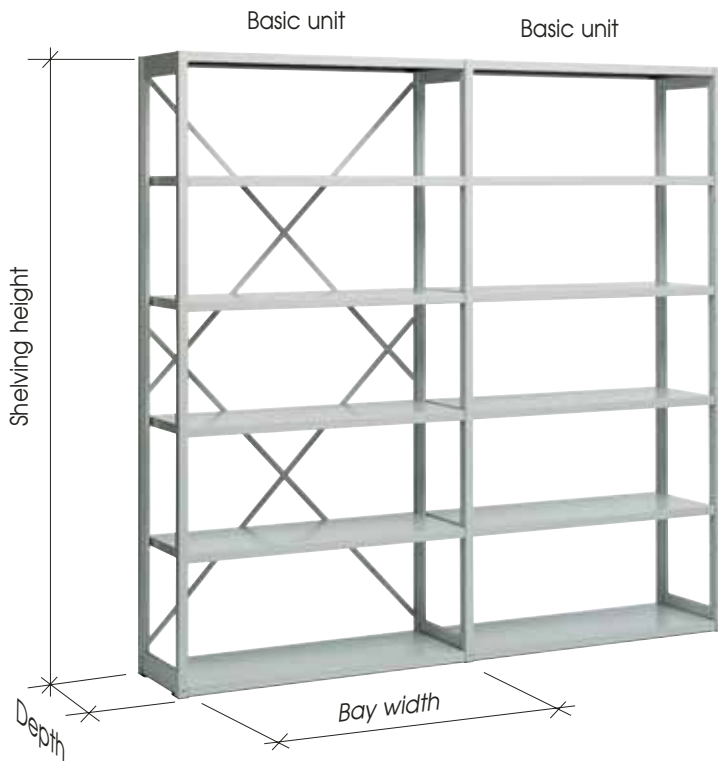
**Sliding doors**  
made of sheet steel; lockable. Sliding doors run on rollers within a guide track.



**Hinged doors**  
made of sheet steel; lockable.

# Static shelving

## Versatile solutions



Steel plinth

## Dimensions

- Height:** 1632, 1952, 2232, 2592 and 2952 mm (plus 3 mm high plastic base plates)
- Depth:** 250, 300, 350, 400, 450, 500, 600, 700 and 800 mm
- Bay width:** 900, 1000, 1100 and 1200 mm
- Slotted frame profile:** Special steel profile
- Shelf:** 32 mm in height; triple-folded longitudinal edges; height-adjustment: 20 mm increments

## Capacity

- Bay capacity:** max. 1300 kg
- Shelf capacity:** up to 100 kg (up to 150 kg with reinforcement)



# The right accessories - flexibility extends the possibilities

The varying components of the wide-ranging accessory programme can be freely combined and incorporated or moved at any subsequent stage. Each of the fitments may, like the shelves, be adjusted at 20 mm increments.

## The shelf

### Accessories for all requirements

The range of accessories covers the multitude of requirements and needs of our customers. Well-designed and practical system components are clear indicators of the consideration given to perfecting the shelving system.



Pull-out shelf



Front stop



Back stop  
different heights

# Shelves for books and files

## Secure storage for all archived materials

High-quality materials and superior workmanship guarantee a long and useful life. The intelligent design adapts optimally to its overall appearance, ambience and surrounding. The strong connection of shelf and vertical divider provides reliable stability in all situations.



Side stop, plastic



Side stop, steel



Suspended divider, rod type,  
suspended divider, flat steel



Angled book-end,  
on-shelf divider



Angled book-end, with stop

## Labelling

### Finding your way

An intelligent structure and clear labelling are the best guides through an archive. Labelling panels and strips are available in several designs, using paper inserts for easy identification. A4 and A5 sized cardholders can be positioned as portrait or landscape format.

# System accessories

## Prepared for all contingencies

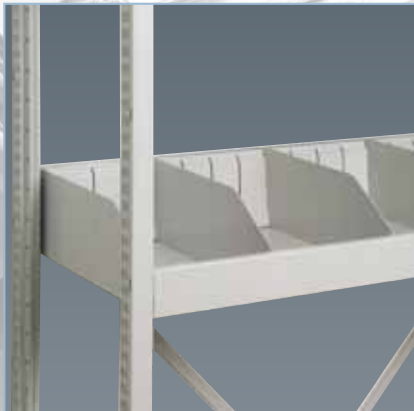
We offer suspension rods suitable for systems made by a number of manufacturers, and drawers in a wide range of heights.



Dividers and rod dividers



Drawers



Box shelf



Pull out filing cradle



Suspension rod



Cardholder



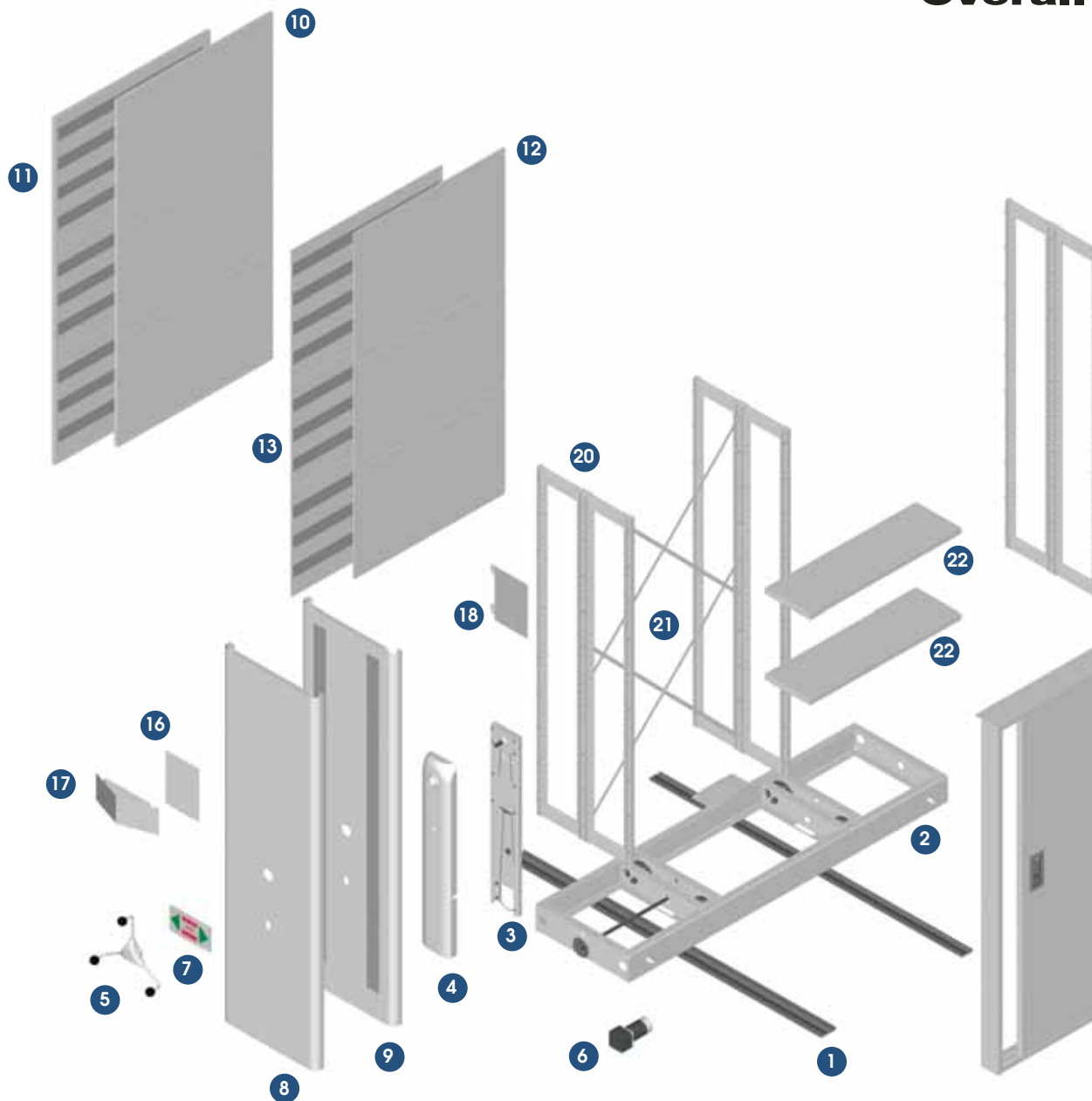
Protruding cardholder



Labelling strip for shelves

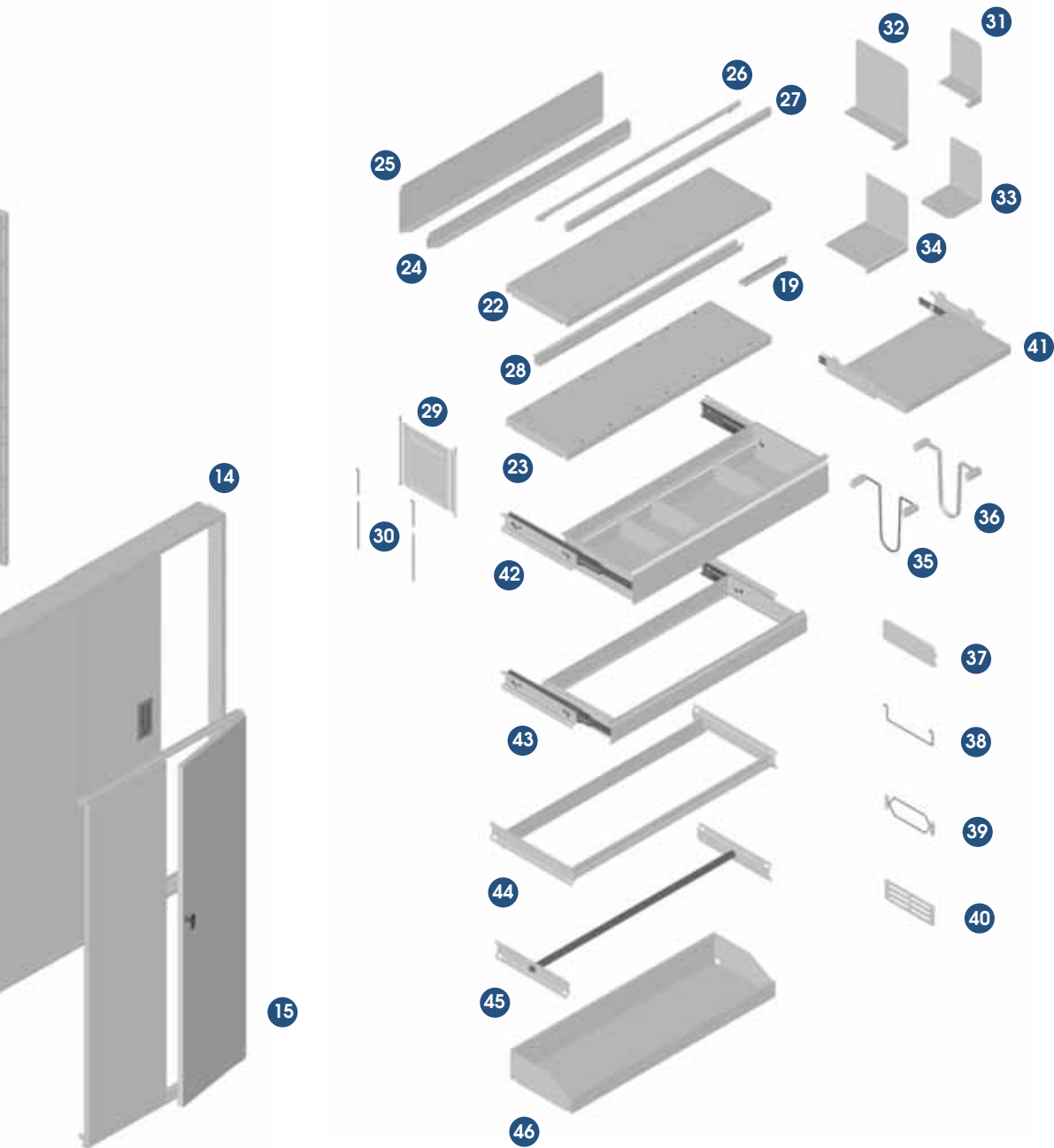
# Shelving system FOREG 2000

Overall



- |                   |                                 |                            |
|-------------------|---------------------------------|----------------------------|
| 1 rails           | 8 end panel, solid steel        | 16 cardholder              |
| 2 mobile base     | 9 end panel, perforated steel   | 17 protruding cardholder   |
| 3 chain box       | 10 rear panel, solid steel      | 18 cardholder              |
| 4 chain box cover | 11 rear panel, perforated steel | 19 shelf labelling         |
| 5 handcrank       | 12 back panel, solid steel      | 20 frame                   |
| 6 electric drive  | 13 back panel, perforated steel | 21 diagonal braces         |
| 7 control panel   | 14 sliding doors                | 22 shelf, solid steel      |
|                   | 15 hinged doors                 | 23 shelf, perforated steel |

## view components



- |    |                                |    |                               |    |                        |
|----|--------------------------------|----|-------------------------------|----|------------------------|
| 24 | back stop, low                 | 32 | on-shelf divider, large       | 40 | side stop, plastic     |
| 25 | back stop, high                | 33 | angled book-end               | 41 | pull-out shelf         |
| 26 | centre stop                    | 34 | angled book-end, with stop    | 42 | drawer                 |
| 27 | front stop                     | 35 | suspended divider, rod type   | 43 | pull out filing cradle |
| 28 | shelf reinforcement            | 36 | suspended divider, flat steel | 44 | fixed filing frame     |
| 29 | shelf divider, steel/hardboard | 37 | side stop, solid steel        | 45 | suspension rod         |
| 30 | rod dividers                   | 38 | side stop, rod type           | 46 | box shelf              |
| 31 | on-shelf divider, small        | 39 | side stop, rod type           |    |                        |

# Solutions based on project re

Variety in



Our library systems are in use world-wide, confirming the fact that Forster stands for high quality and vast experience - which all of our customers benefit from. Intense personal commitment, full attention to detail and first-rate service combine to produce solutions that meet and exceed our customers' high expectations.

# quirements

technique and design – simply the perfect solution

